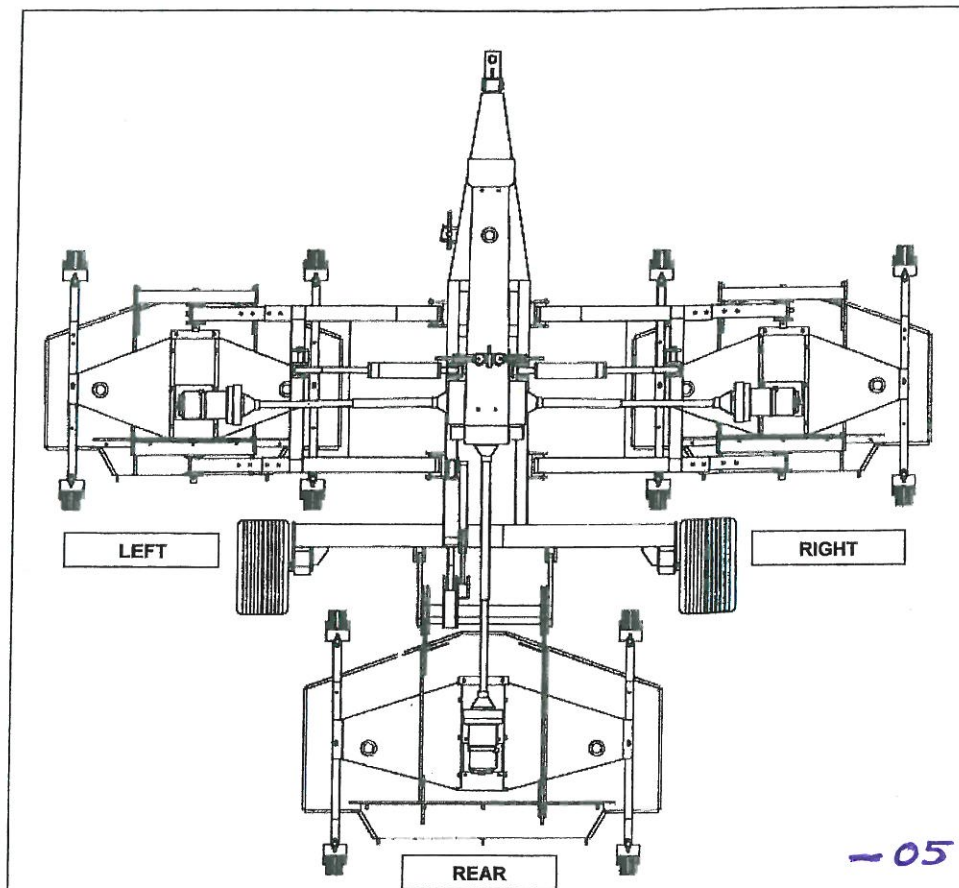


USE AND MAINTENANCE MANUAL

OMEGA



RESERVDELSBOK

Återförsäljare:

Generalagent:

**Närlant**

Filarevägen 8, 703 75 Örebro

Tel: 019 - 603 60 60, Fax: 019 - 31 20 96

Webbadress: www.narlant.se

E-post: info@narlant.se

Rätten till ändringar utan föregående meddelande förbehålles.

www.narlant.se - info@narlant.se

DELMORINO – OMEGA

Storlek på de 3 klippdäcken:

	Centrum	Sidor
Omega 11	120 cm	2 x 120 cm
Omega 12	150 cm	2 x 120 cm
Omega 14	150 cm	2 x 150 cm
Omega 15	180 cm	2 x 150 cm
Omega 17	180 cm	2 x 180 cm
Omega 19	235 cm	2 x 180 cm
<i>Omega 21</i>	<i>235 cm</i>	<i>2 x 215 cm</i>

Knivar på resp. klippdäck:

		Reservdelsnr.
120 cm	3 st 40 cm	SRM200D
150 cm	3 st 50 cm	SRM201D
180 cm	3 st 60 cm	SRM202D
235 cm	5 st 50 cm	SRM201D
<i>215 cm</i>	<i>3 st 83 cm</i> <i>73 ?</i>	<i>PRM406 D</i>

Remmar på resp. klippdäck:

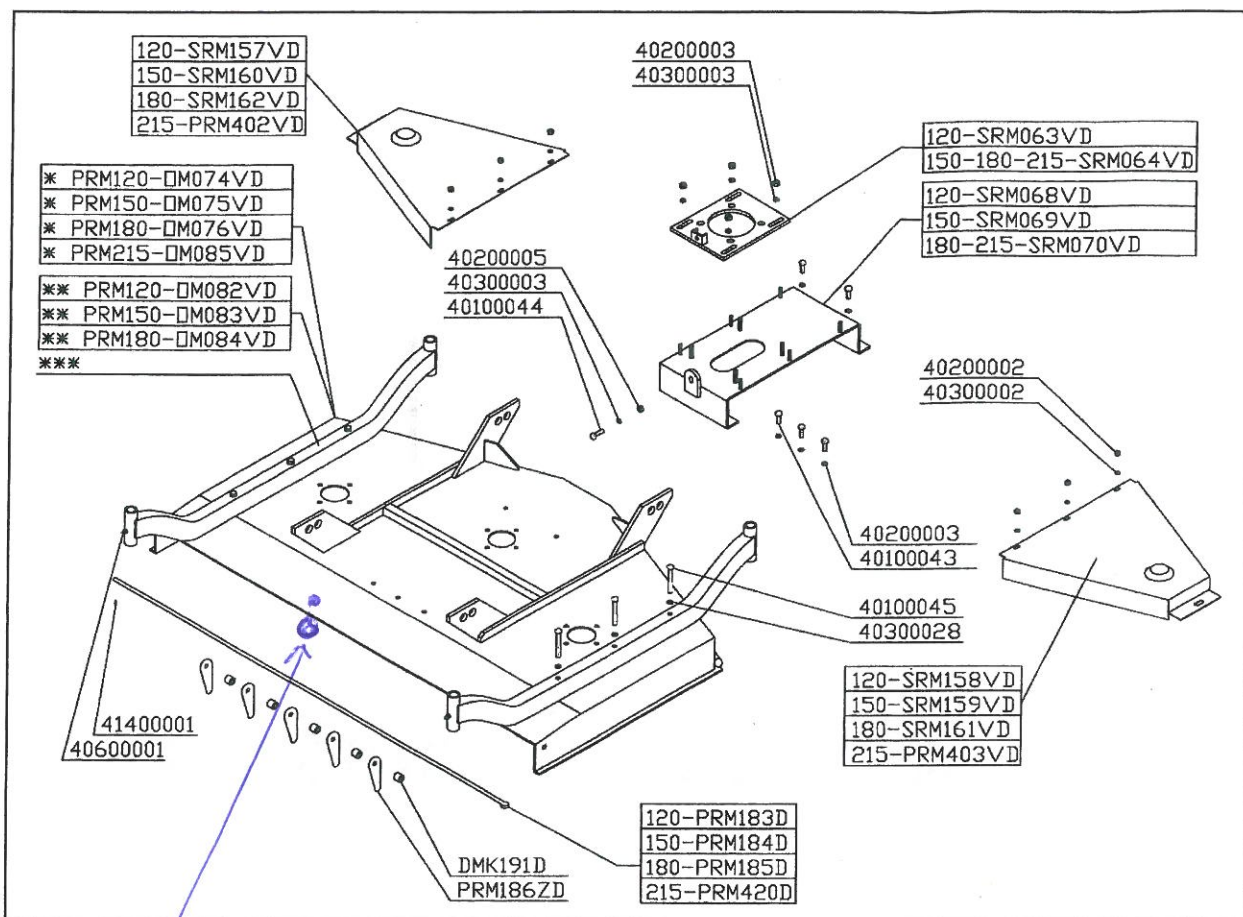
		Reservdelsnr.
120 cm	2 st	42800001
150 cm	2 st	42800002
180 cm	2 st	42800003
235 cm	2 st	42800004
<i>215</i>	<i>2 st</i>	<i>42800012</i>

Knivmutter 40200029

SPARE PARTS & OPTIONS

sprint för hydraularmar (inkl brida
och muttar): SRM 220D

120-150-180-215 MOWERS FRAME COMPONENTS



fäste för stänger 40100088

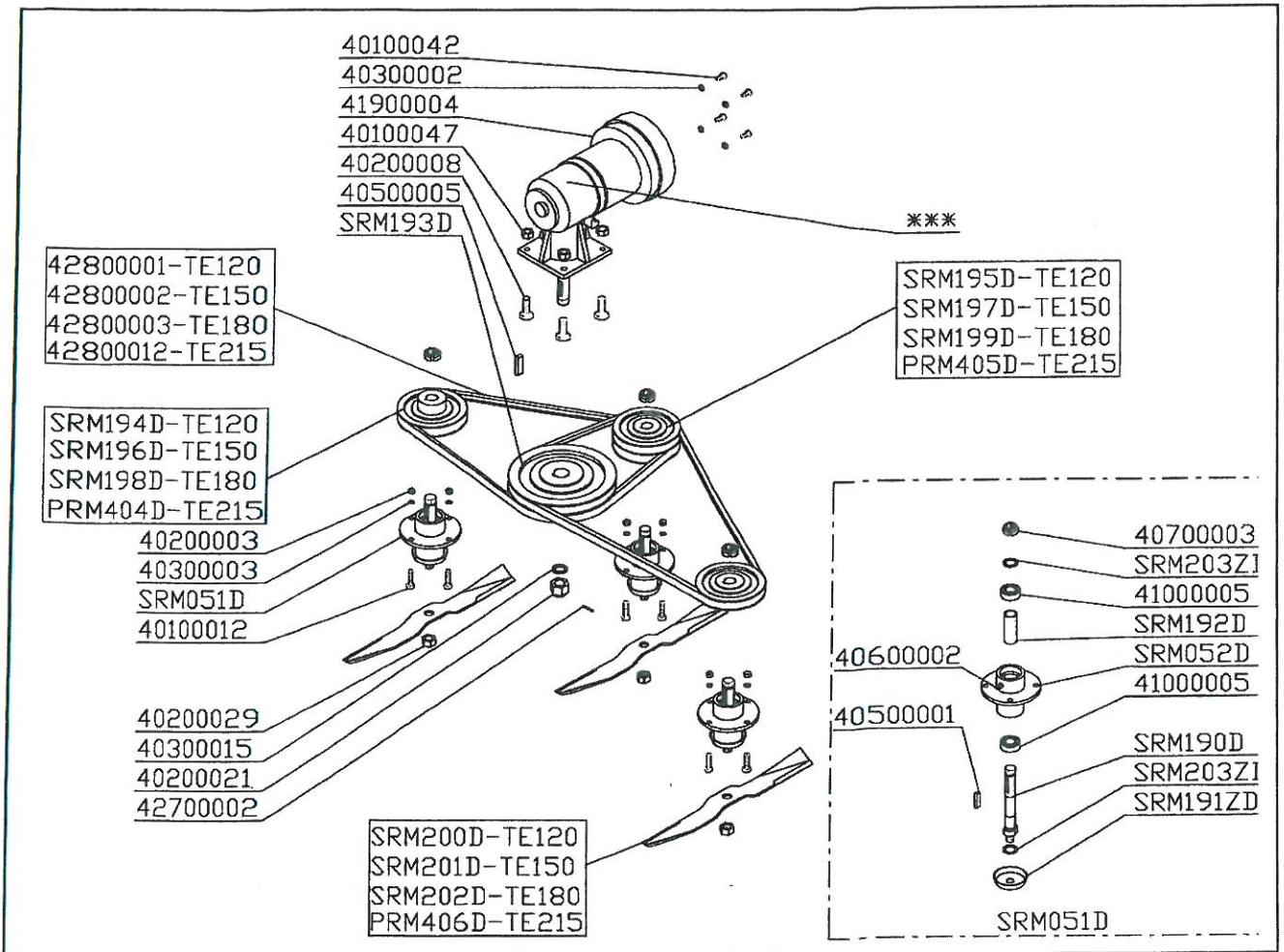
* : Left and right mowers.

** : Rear mower.

- ***- WHEEL BRACKET/WHEEL JOINT						
Mower type	Rubber wheel Ø 210		Rubber wheel Ø 310		Pneumatic wheel Ø 330	
	Wheel code	Bracket code	Wheel code	Bracket code	Wheel code	Bracket code
120	SRM071D	PRM063VD	SRM116D	PRM075VD	SRM115D	PRM075VD
150	SRM071D	PRM065VD	SRM116D	PRM076VD	SRM115D	PRM076VD
180	SRM071D	PRM064VD	SRM116D	PRM077VD	SRM115D	PRM077VD
215	SRM071D	PRM064VD	SRM116D	PRM077VD	SRM115D	PRM077VD
Standard	X					
Option			X			X

NOTE : For wheels spare parts see page 28.

120-150-180-215 MOWERS TRANSMISSION



*** :

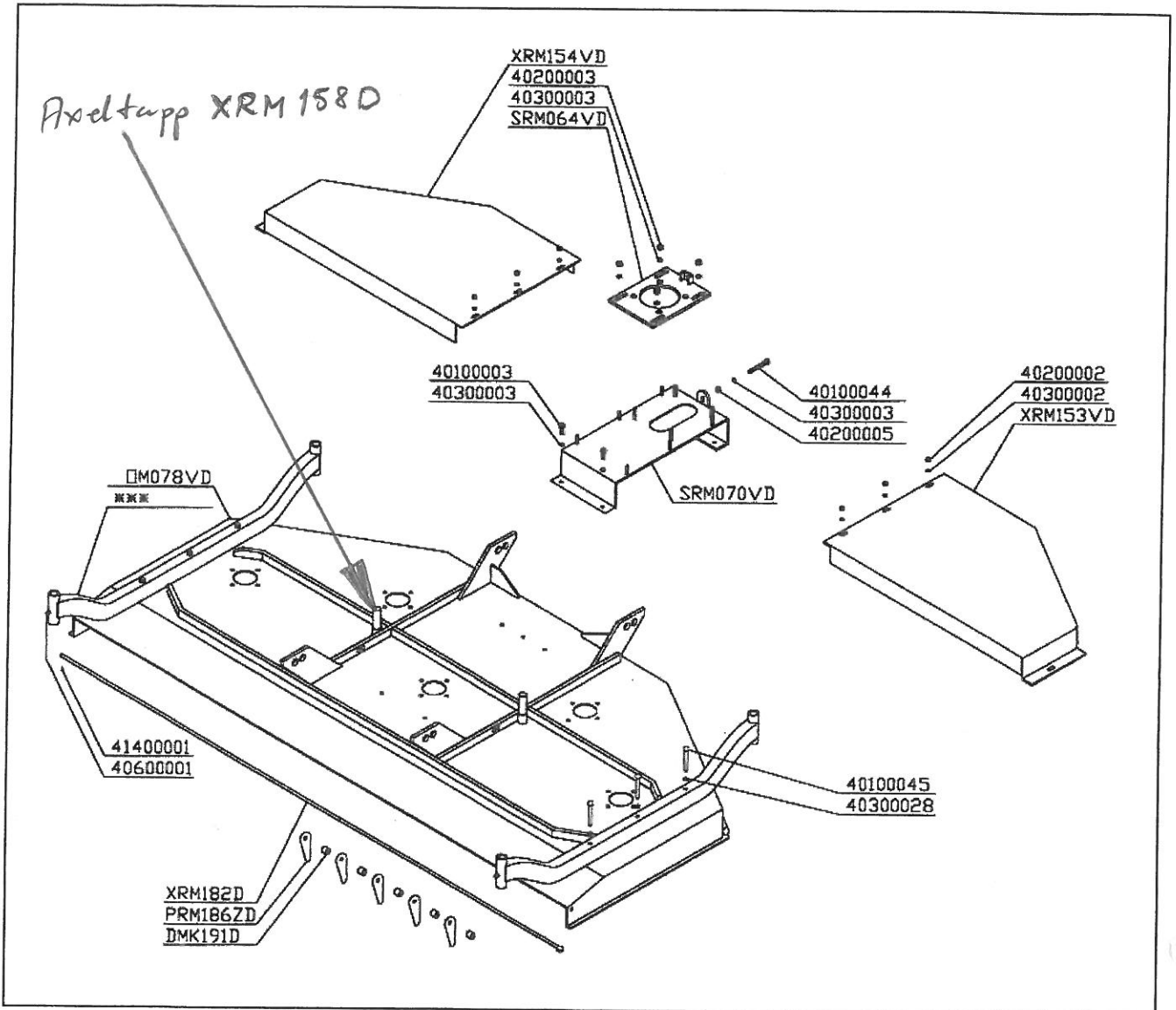
Left mower uses gear box code 42000010.

Right mower uses gear box code 42000006.

Bahre = 4200006

*FM = standard = 1000 rpm drubbelzapp 42000012
 70 2000 = enkelzapp 42000013*

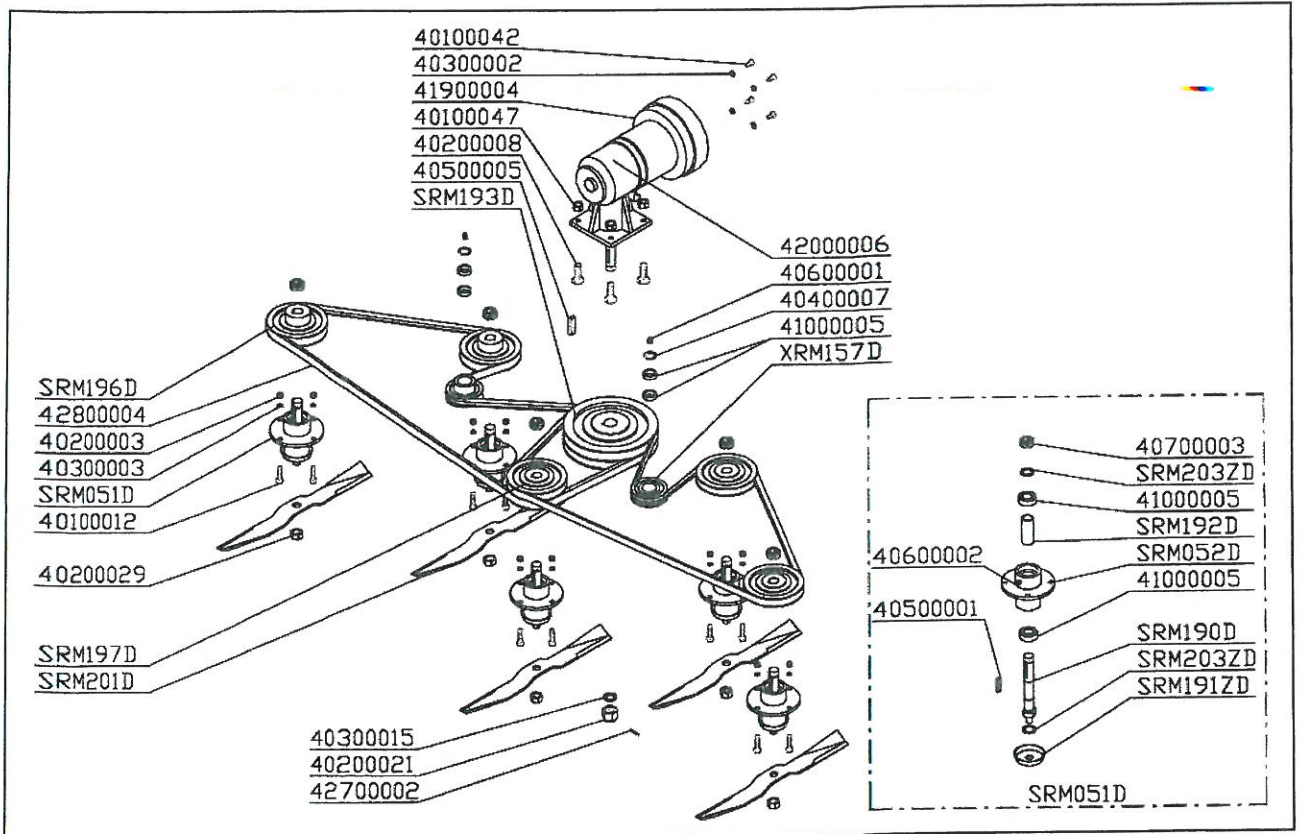
235 MOWER FRAME COMPONENTS



- *** - WHEEL BRACKET/WHEEL JOINT						
Mower type	Rubber wheel Ø 210		Rubber wheel Ø 310		Pneumatic wheel Ø 330	
	Wheel code	Bracket code	Wheel code	Bracket code	Wheel code	Bracket code
235	SRM071D	PRM065VD	SRM116D	XRM057VD	SRM115D	XRM057VD
Standard	X					
Option			X			X

NOTE : For wheel spare parts see page 28.

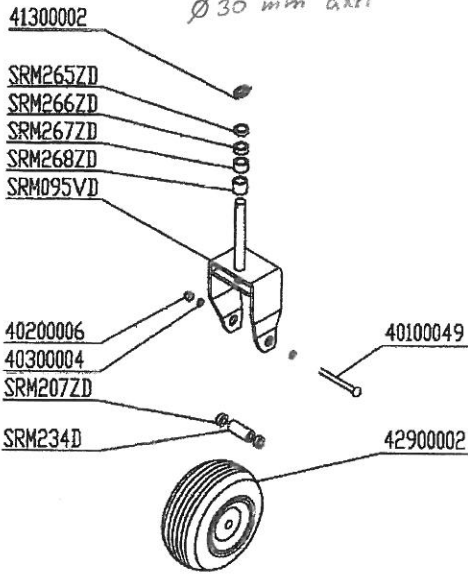
235 MOWER TRANSMISSION



WHEELS AND FRONT ROLL SPARE PARTS

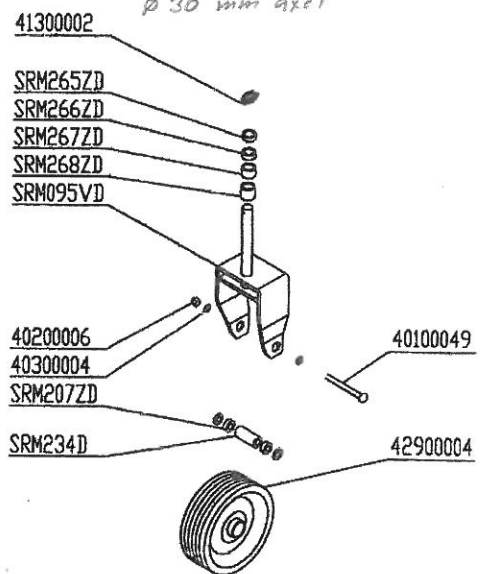
Ø330 - SRM115D

Ø 30 mm axel

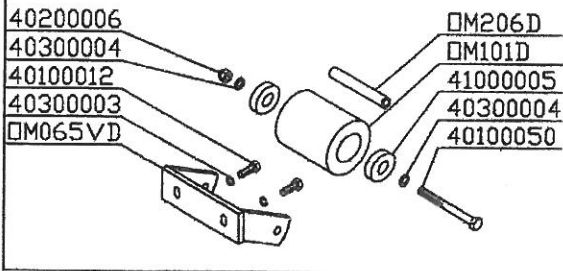


Ø310 - SRM116D

Ø 30 mm axel

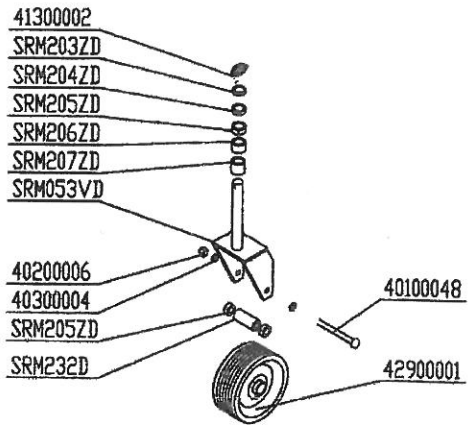


□M100D

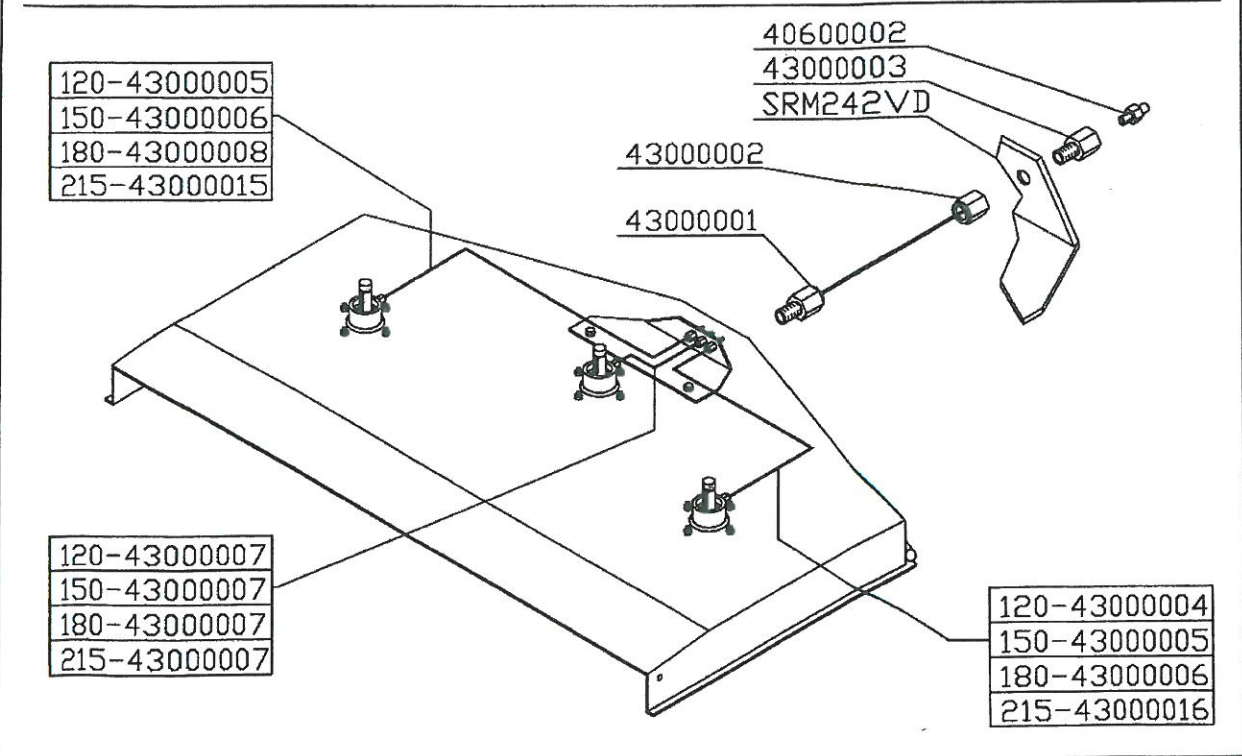
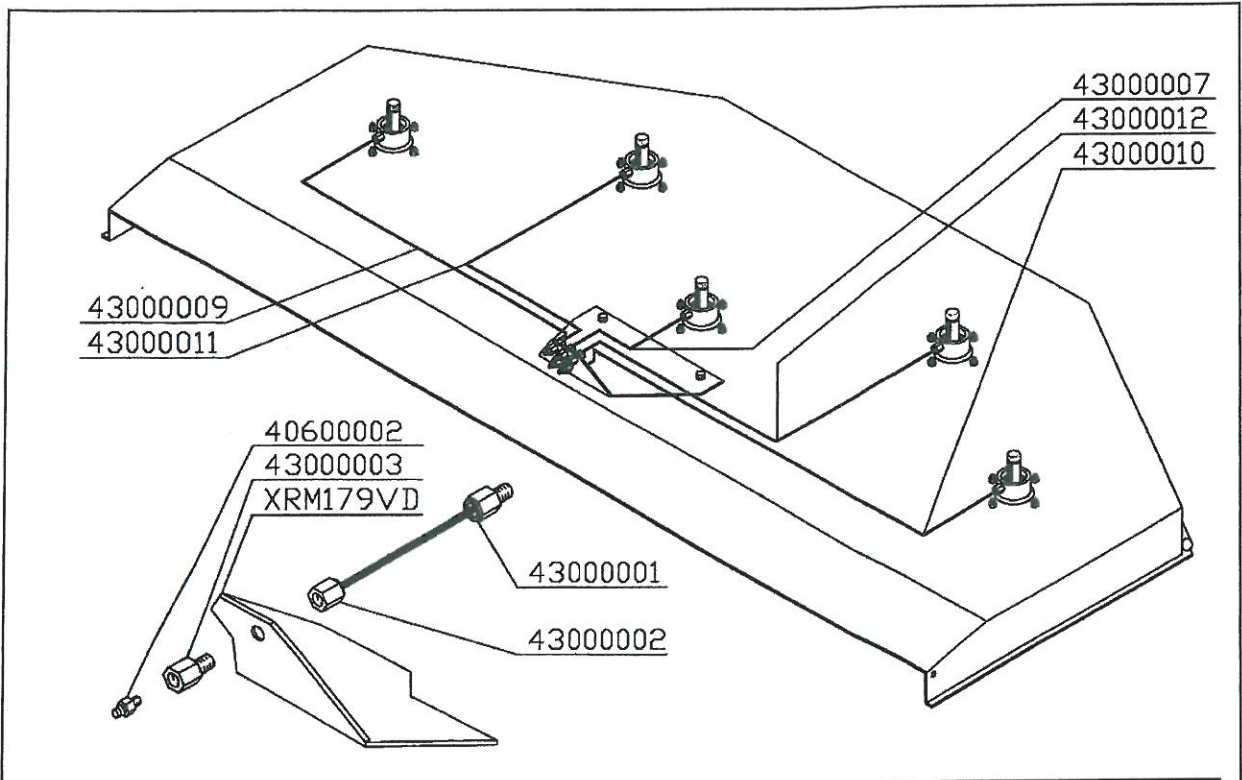


Ø210 - SRM071D

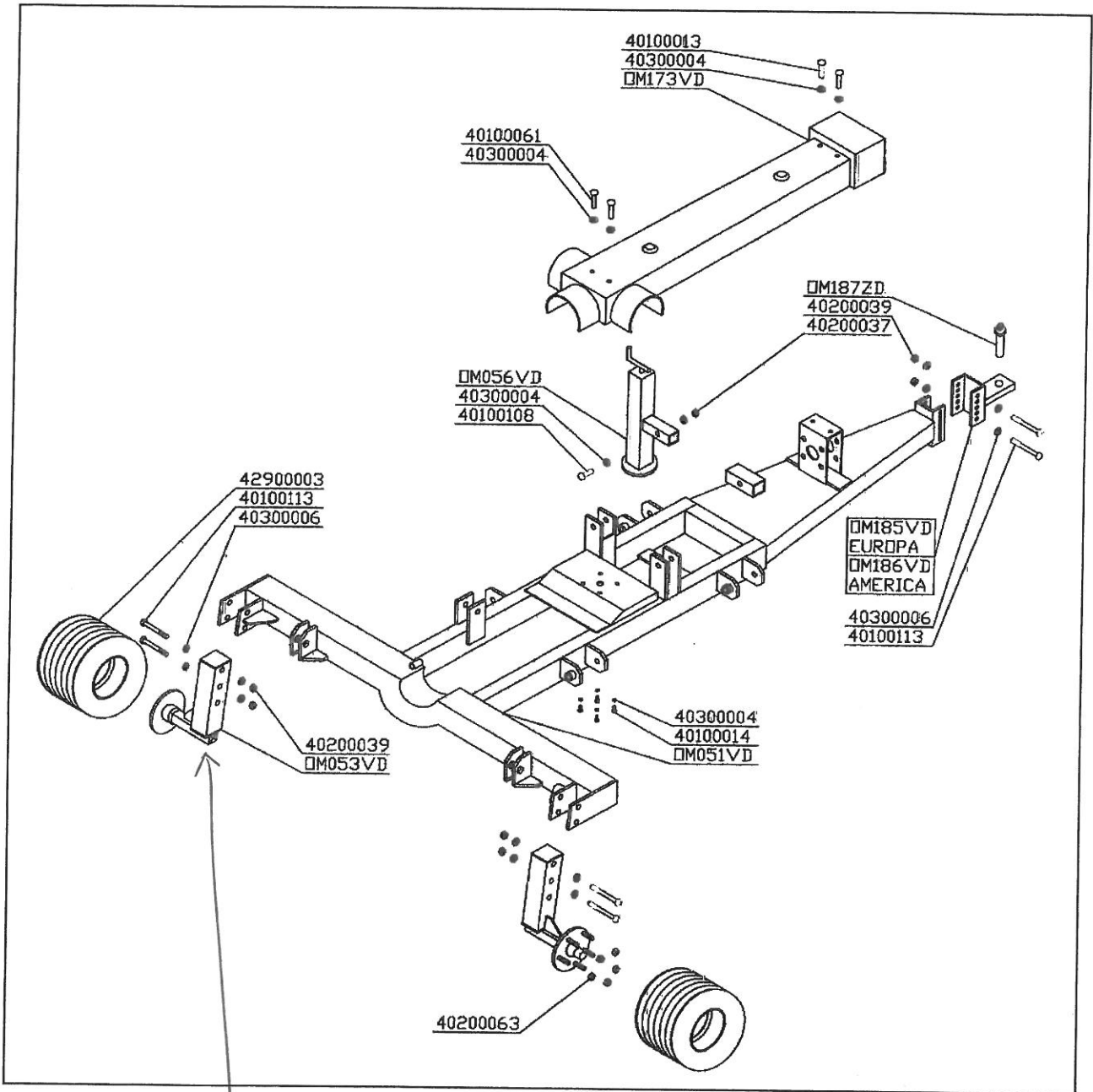
Ø 25 mm axel



CENTRAL LUBRICATION COMPONENTS

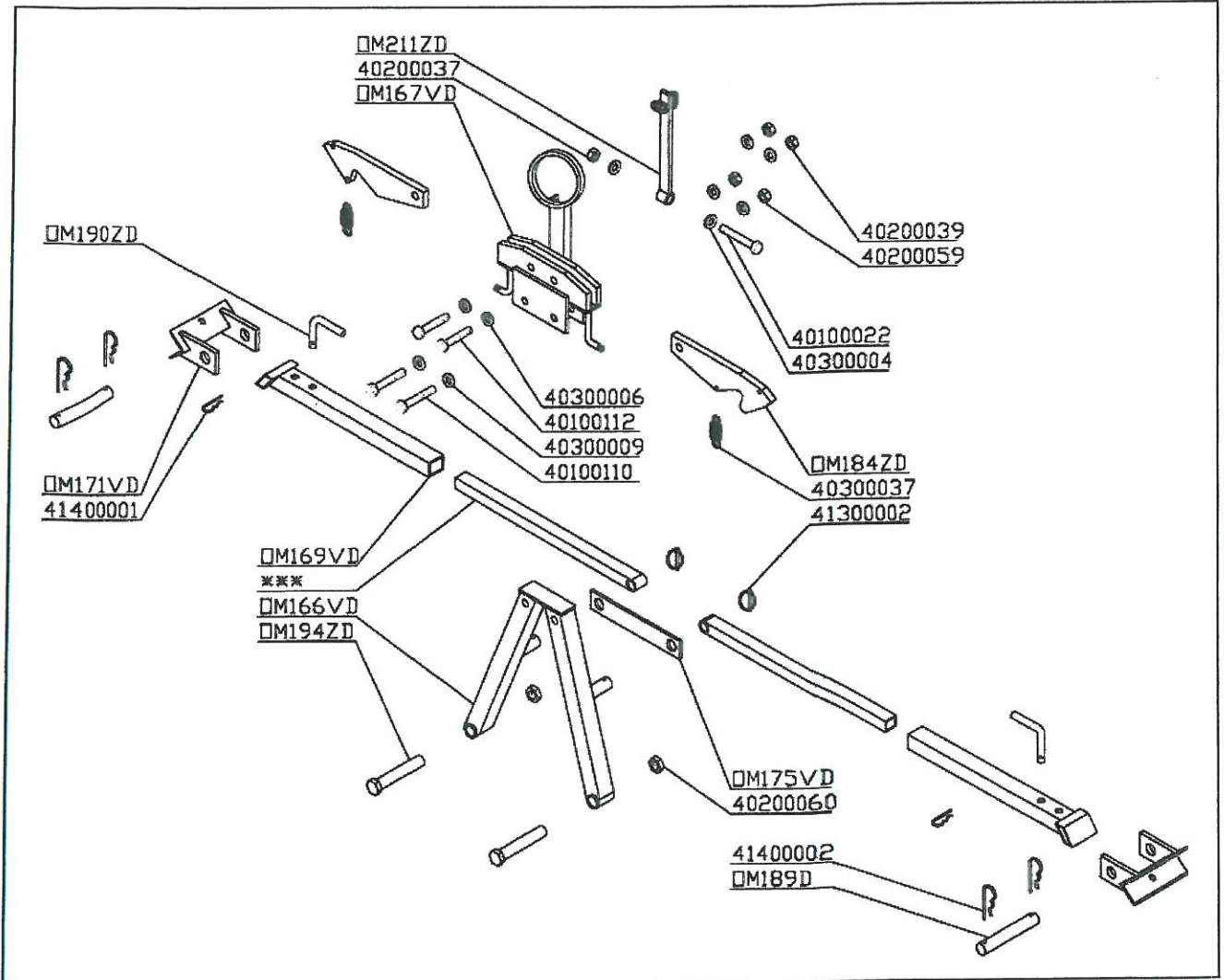


MAIN FRAME COMPONENTS



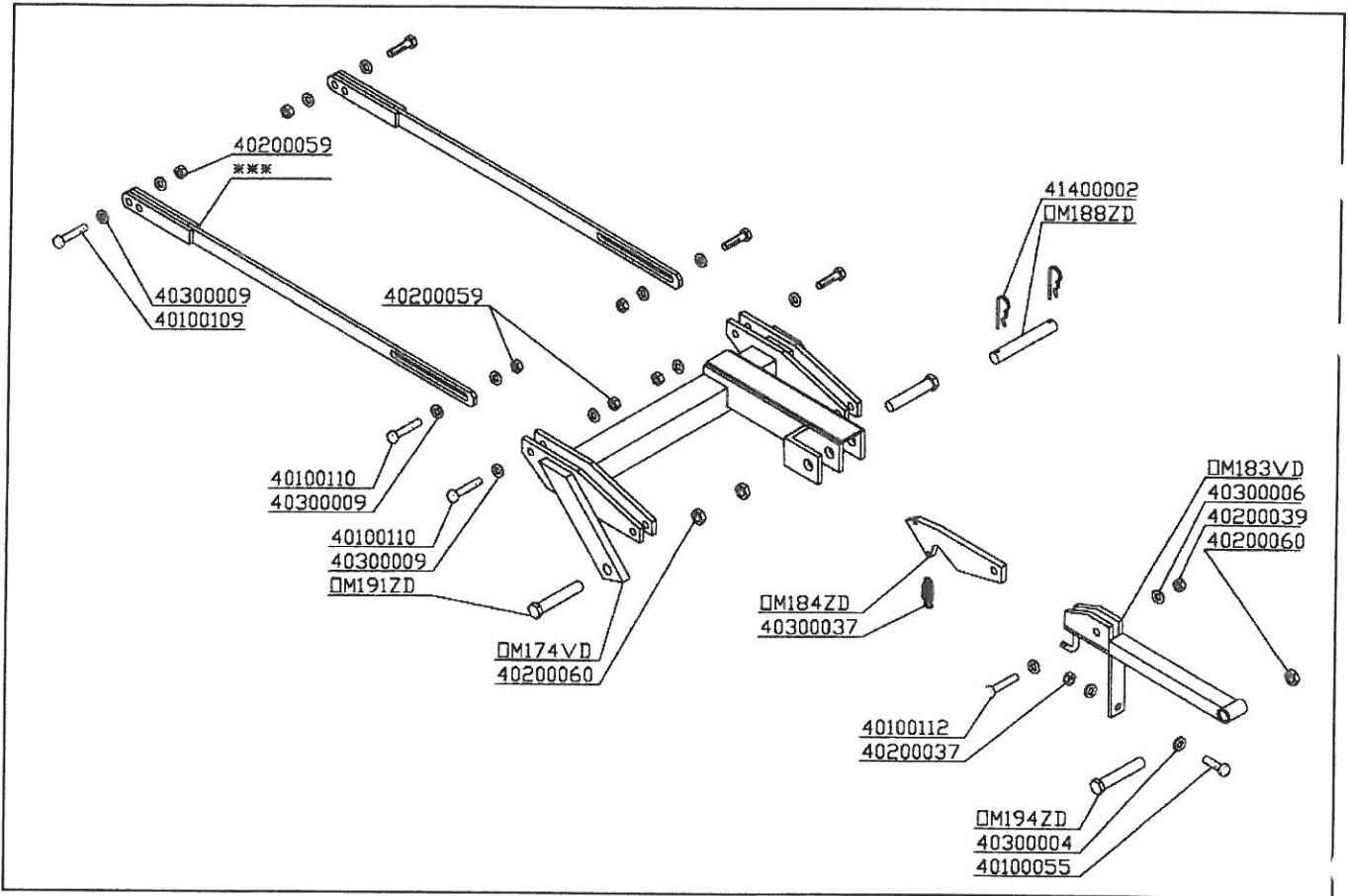
Lager = 30205 och 30206
 Narkapsel från Galfré passar

SAFETY SIDE DEVICE COMPONENTS



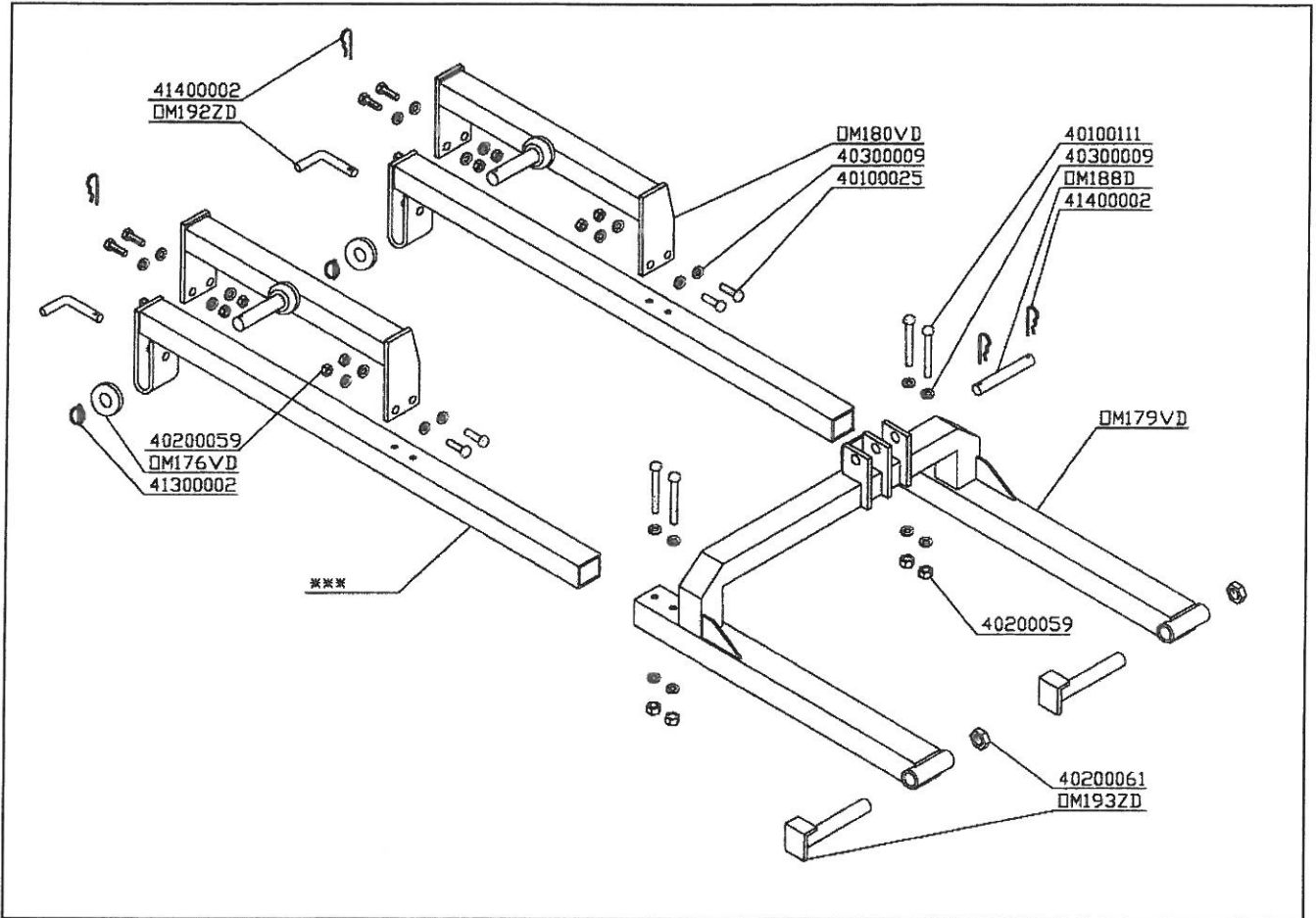
BRACKET CODE							
Bracket code	OMEGA 11	OMEGA 12	OMEGA 14	OMEGA 15	OMEGA 17	OMEGA 19	OMEGA 21
***	OM170AVD	OM170BVD	OM170BVD	OM170CVD	OM170CVD	OM170DVD	OM170EVD

REAR FRAME COMPONENTS



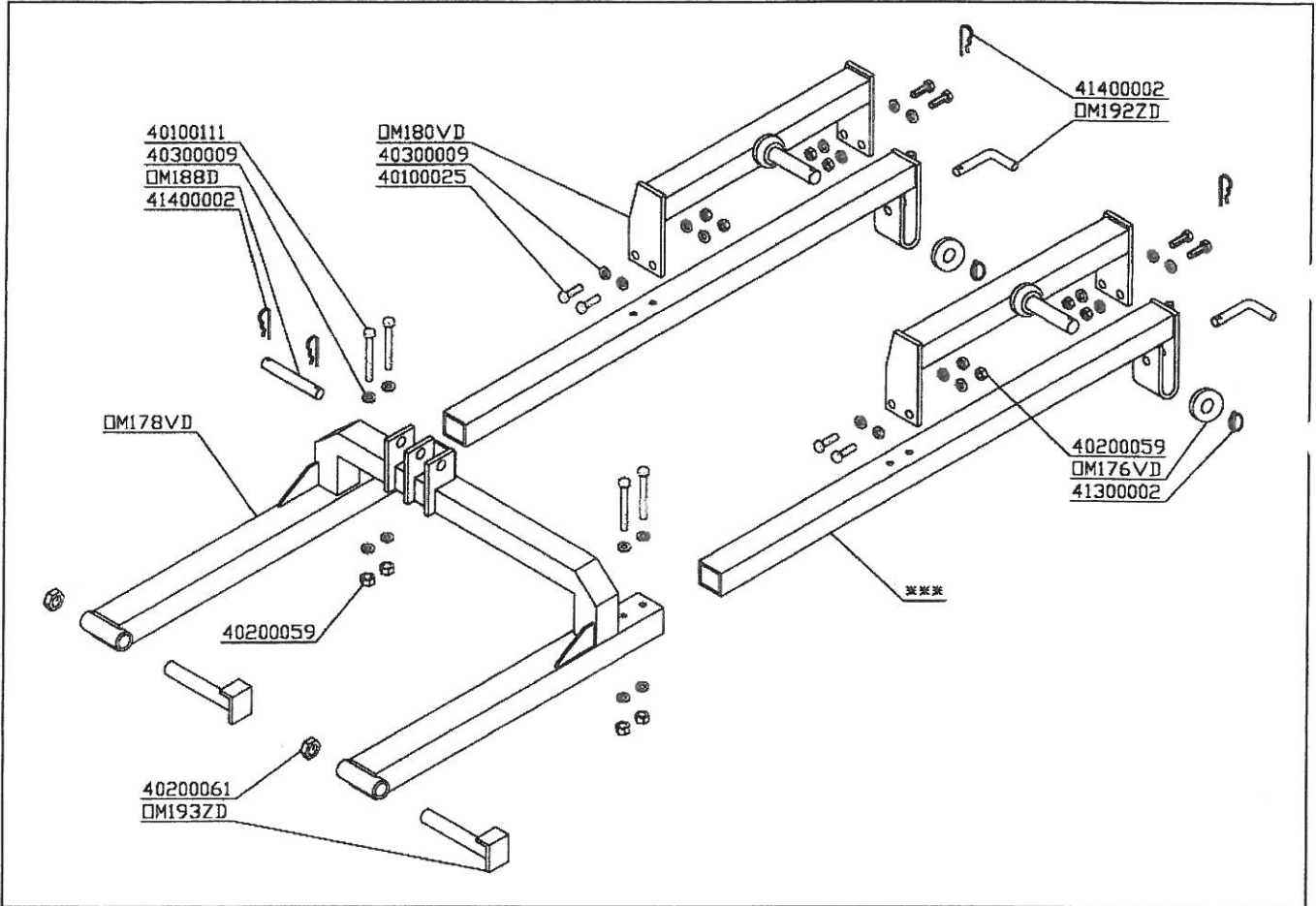
BRACKET CODE							
Bracket code	OMEGA 11	OMEGA 12	OMEGA 14	OMEGA 15	OMEGA 17	OMEGA 19	OMEGA 21
***	OM182AVD	OM182BVD	OM182BVD	OM182CVD	OM182CVD	OM182DVD	OM182DVD

LEFT SIDE FRAME COMPONENTS



ARM CODE							
Arm code	OMEGA 11	OMEGA 12	OMEGA 14	OMEGA 15	OMEGA 17	OMEGA 19	OMEGA 21
***	OM181AVD	OM181BVD	OM181CVD	OM181DVD	OM181EVD	OM181FVD	OM181GVD

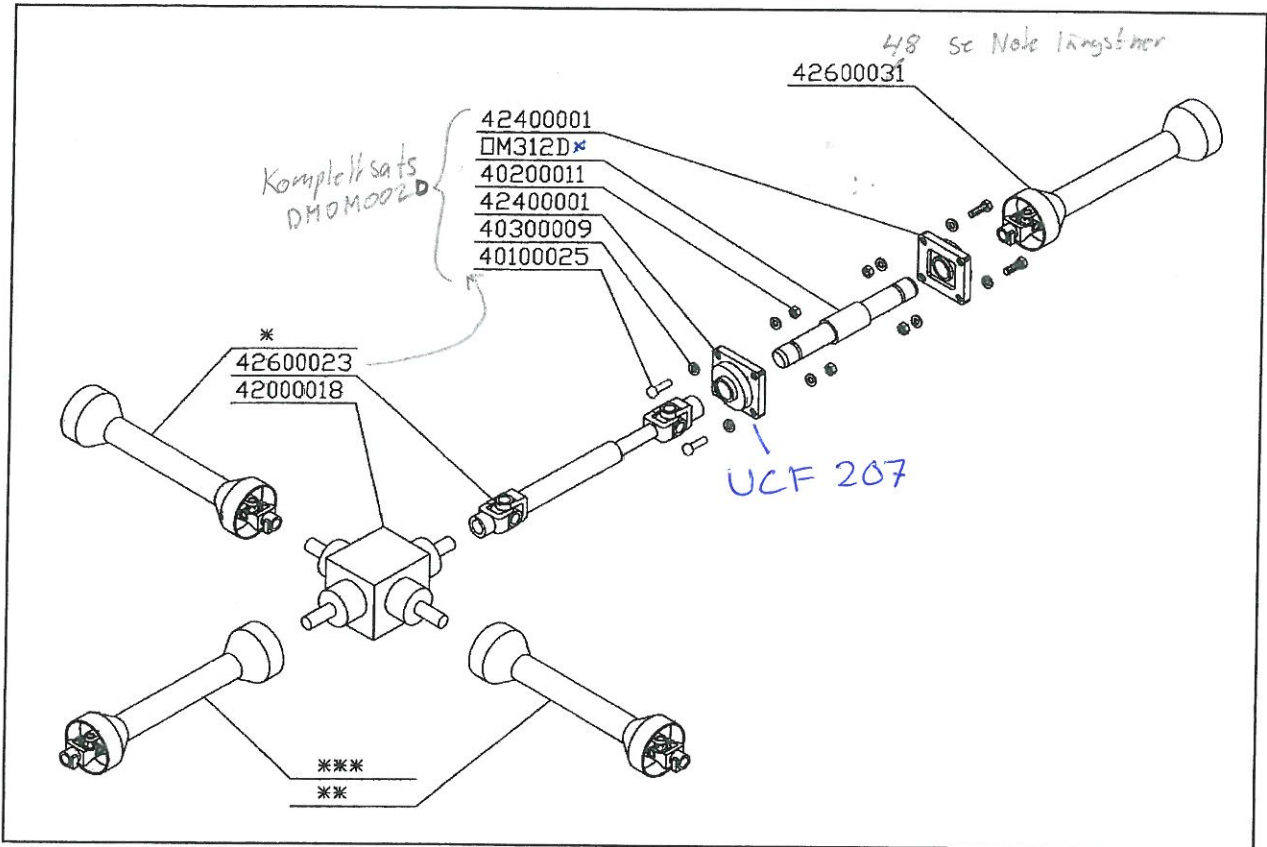
RIGHT SIDE FRAME COMPONENTS



ARM CODE							
Arm code	OMEGA 11	OMEGA 12	OMEGA 14	OMEGA 15	OMEGA 17	OMEGA 19	OMEGA 21
***	OM181AVD	OM181BVD	OM181CVD	OM181DVD	OM181EVD	OM181FVD	OM181GVD

MAIN FRAME TRANSMISSION

x ers. DMOM321D

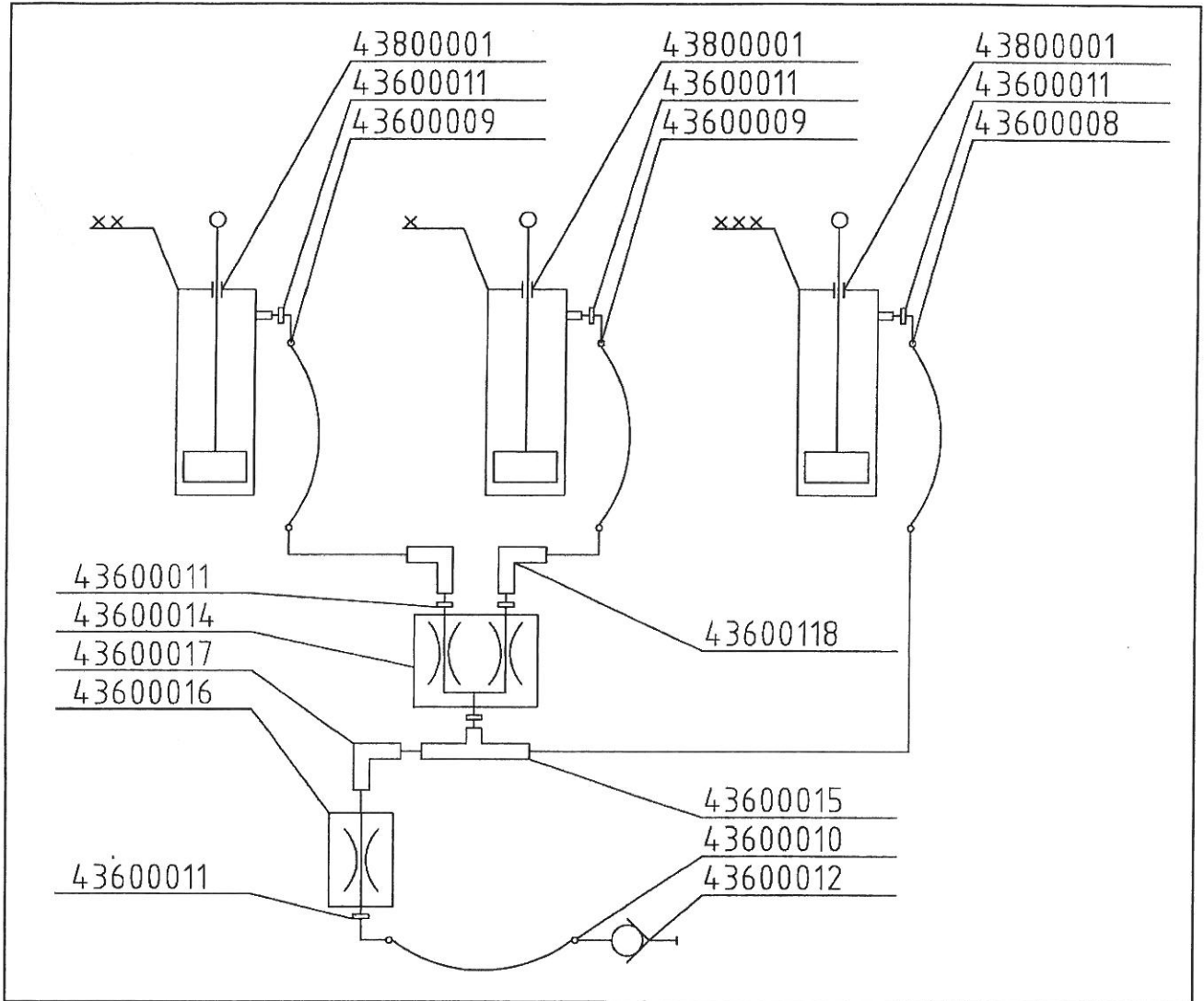


CODE FOR RIGHT SIDE – LEFT SIDE – REAR WIDE ANGLE CARDAN SHAFT MOWER WITH WHEELS Ø 210 <i>K-axlar</i>							
Cardan code	OMEGA 11	OMEGA 12	OMEGA 14	OMEGA 15	OMEGA 17	OMEGA 19	OMEGA 21
Left *	42600088	42600039	42600076	42600040	42600041	42600042	42600099
Right **	42600088	42600039	42600076	42600040	42600041	42600042	42600099
Rear ***	42600041	42600041	42600041	42600041	42600041	42600040	42600040

CODE FOR RIGHT SIDE – LEFT SIDE – REAR WIDE ANGLE CARDAN SHAFT MOWER WITH WHEELS Ø 310 E Ø 330							
Cardan code	OMEGA 11	OMEGA 12	OMEGA 14	OMEGA 15	OMEGA 17	OMEGA 19	OMEGA 21
Left *	42600088	42600039	42600076	42600040	42600041	42600042	42600099
Right **	42600088	42600039	42600076	42600040	42600041	42600042	42600099
Rear ***	42600099	42600099	42600099	42600099	42600099	42600042	42600042

NOTE : if you want that the clutch cardan shaft that connect the Omega with the tractor should be also wide angle, you must change the code 42600031 into 42600048.

HYDRAULIC PLANT COMPONENTS



- * : Left hydraulic cilinder
- ** : Right hydraulic cilinder
- *** : Rear hydraulic cilinder

GENERAL INDEX

PREFACE	2
DESCRIPTION	3
FUNCTION OF USE	3
PERFORMANCES	3
PERFORMANCES LIMITS	3
STANDARD EQUIPMENT	3
VARIANTS & OPTIONS	3
SAFETY DEVICES	4
TECHNICAL SPECIFICATIONS	4
DRAW-HOOK OF THE TRACTOR	4
CHARACTERISTICS PER MODEL	4
SAFETY INFORMATIONS	5
GENERAL REGULATIONS	5
SAFETY RESTRICTIONS	5
SAFETY SIGNS ON THE MACHINE	6
ASSEMBLING INSTRUCTIONS	7
1. MAIN FRAME "1" ASSEMBLING	10
2. MOUNTING RIGHT CUTTING COMPONENT "8"	11
3. MOUNTING LEFT CUTTING COMPONENT "9"	11
4. MOUNTING REAR CUTTING CUTTING COMPONENT "7"	11
5. MOUNTING RIGHT CUTTING COMPONENT ON MAIN FRAME	11
6. MOUNTING LEFT CUTTING COMPONENT ON MAIN FRAME	11
7. MOUNTING REAR CUTTING COMPONENT ON MAIN FRAME	12
8. FINAL ASSEMBLING	12
9. GREASING AND LUBRICATION	12
INSRTRUCTION FOR USE	13
1. BEFORE BEGINNING WORK	13
2. TO BEGINNING WORK	14
3. AT THE END OF WORK	14
MAINTENANCE INSTRUCTIONS	15
DIAGRAM "A" SCHEDULED MAINTENANCE	15
1. FRAME GREASING	16
2. FRAME GEAR BOX OIL SUBSTITUTION	16
3. MOWERS GREASING	17
4. MOWERS OIL CECK – OIL SUSTITUTION	17
5. BELTS ADJUSTING AND SUBSTITUTION	18
6. BLADES SUBSTITUTION	19
PROBLEMS SOLVING	20
TRANSPORT	21
STOREGE	21
INFORMATION ON DEMOLITION	21
WARRANTY	21
WORK AND MAINTENANCE SHEET	22
120-150-180-215 MOWERS FRAME COMPONENTS	24

<u>120-150-180-215 MOWERS TRANSMISSION</u>	25
<u>235 MOWER FRAME COMPONENTS</u>	26
<u>235 MOWER TRANSMISSION</u>	27
<u>WHEELS AND FRONT ROLL SPARE PARTS</u>	28
<u>CENTRAL LUBRICATION COMPONENTS</u>	29
<u>MAIN FRAME COMPONENTS</u>	30
<u>SAFETY SIDE DEVICE COMPONENTS</u>	31
<u>REAR FRAME COMPONENTS</u>	32
<u>LEFT SIDE FRAME COMPONENTS</u>	33
<u>RIGHT SIDE FRAME COMPONENTS</u>	34
<u>MAIN FRAME TRANSMISSION</u>	35
<u>HYDRAULIC PLANT COMPONENTS</u>	36